



DAE YOUNG SPECIAL

TWIN PIPE SYSTEM CATALOG



CONCRETE PUMPING PIPE MANUFACTURE & SUPPLY



Introduction

DAEYOUNG CO. LTD. was founded in 1973 and is still family owned until this day. Our business manufactures twin wall pipe and elbows from our own factory in Chungcheongbuk-Do Umsung-Kun, S. Korea. As a subsidiary company, Daeyoung Special, Inc. has been servicing the US market from Southern California since 2013 as a full custom pipe system supplier.

Daeyoung's patented manufacturing process utilizes centrifugal casting and our patented inner liner is made from a special hi-chrome alloy composition. It allows for the twin wall products to be impact resistant, allows for higher working burst pressure, and the ability to stand higher temperature without adversely changing the molecular composition of the material.

All our twin products are offered with chrome carbide liners throughout the entire pipe and elbow.

These key features are what makes Daeyoung Special different. Our twin wall product doesn't require water cooling when welding or cutting. The inner liner is not prone to shattering from impact because of its tensile strength. Regardless of the pumps schematics, we can customize the pipe system kits to meet your needs. We offer immediate services to all your custom needs with the product consistency that our customers have come to expect.

As we continue to expand our operations, we hope to strengthen every partnership we build along the way. We strive to elevate the standard of how a pipe should perform and last. Our confidence in our twin wall systems can be proven by consistently exceeding the customer's expectations especially when it comes to yardage use.

No matter what the job, you can be assured of a worry free twin pipe system to help you get the job done.

DAEYOUNG SPECIAL, INC.



*Daeyoung Special S. Korea Factory
Manufacture & Supply*



*Daeyoung Special California Warehouse
Customization & Supply*



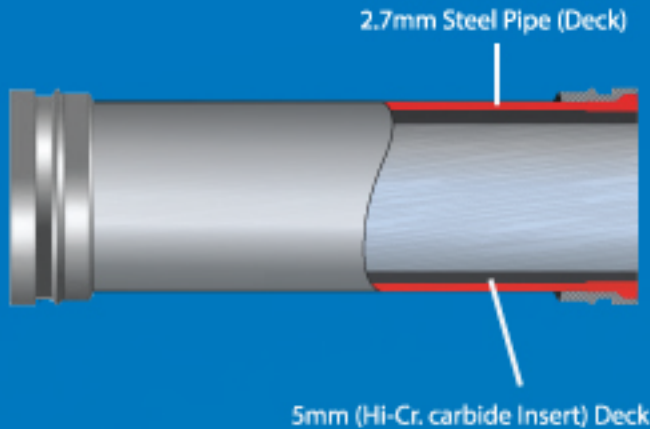
Direct Control Over The Whole Process!! (Manufacture To Supply) Customization is also Available.





Twin Wall Deck & Boom Pipe

Inner wall fully lined with Chrome-Carbide

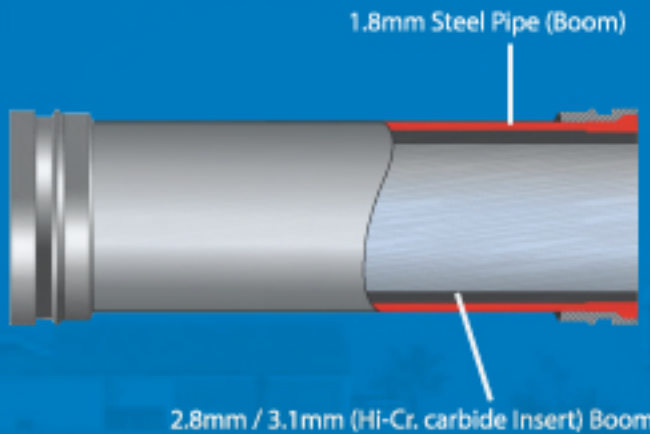


Twin Wall Deck Pipe

DESCRIPTION

HRC58, HRC67

5"xDN125x3000mm (7.7mm[5mm+2.7mm]x77kg[170lbs])



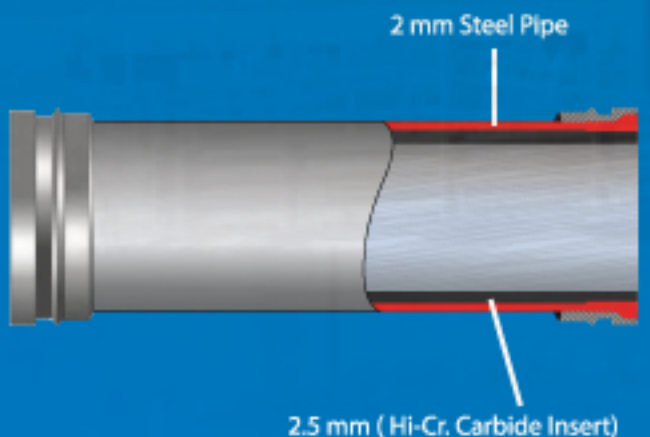
Twin Wall Boom Pipe

DESCRIPTION

HRC58, HRC67

5"xDN125X3000mm (4.6mm[2.8mm+1.8mm]+45kg[99lbs])

5"xDN125X3000mm (4.9mm[3.1mm+1.8mm]+48kg[105lbs])



Twin Wall Boom Pipe

DESCRIPTION

HRC58, HRC67

4.4"xDN112x4500mm (4.5mm[2.5mm+2mm] x 60kg [132.2 lbs])

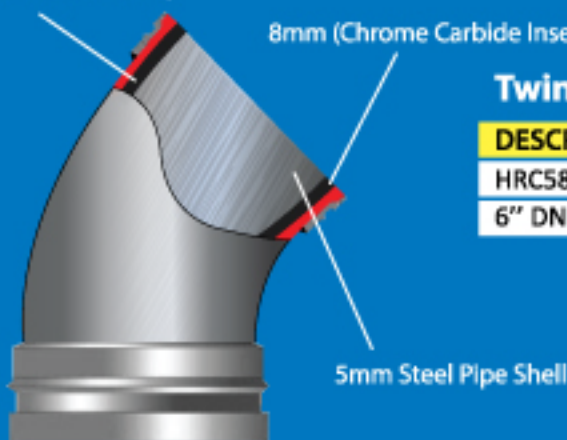
4.4"xDN112x3000mm (4.5mm[2.5mm+2mm] x 42kg[92.5lbs])



Twin Wall Elbow

Inner wall fully lined with Chrome-Carbide

12mm (Hi-Cr. carbide Insert)



8mm (Chrome Carbide Insert)

5mm Steel Pipe Shell

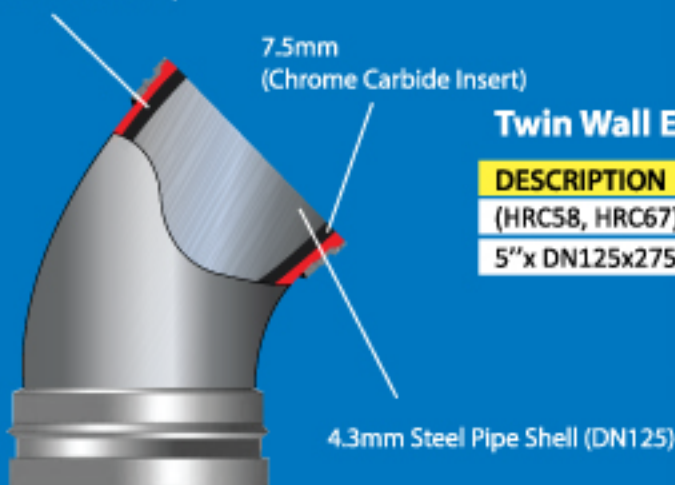
Twin Wall Elbow

DESCRIPTION

(HRC58, HRC67) 90 degrees

6" DN150 5.0mm[shell]+8mm+12mm[inner]x24.5kg [54.2 lbs]

9.5mm (Hi-Cr. carbide Insert)



7.5mm
(Chrome Carbide Insert)

4.3mm Steel Pipe Shell (DN125)

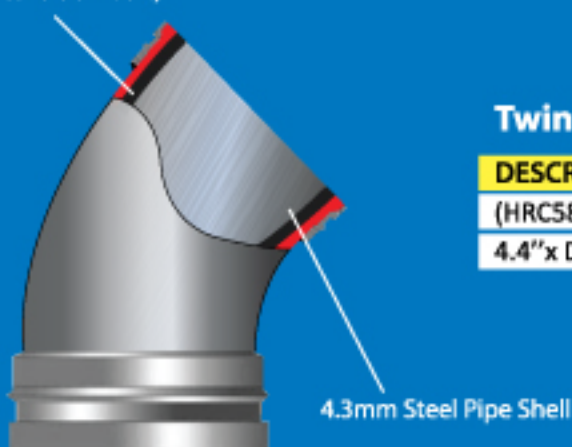
Twin Wall Elbow

DESCRIPTION

(HRC58, HRC67) 90 degrees

5" x DN125x275R (4.3mm[shell]+7.5mm+9.5mm[inner]x17.5kg [38.5lbs])

7mm (Hi-Cr. Carbide Insert)



4.3mm Steel Pipe Shell

Twin Wall Elbow

DESCRIPTION

(HRC58, HRC67) 90 degrees

4.4" x DN112 (4.3mm[shell]+7mm[inner]x12kg [23.4 lbs])



Twin Wall Pipe & Elbow

Inner wall fully lined with Chrome-Carbide

Twin Wall Pipe

DESCRIPTION (*CUSTOM LENGTHS TO SATISFY YOUR SCHEMATICS)

5" Metric Twin Wall Boom Pipe - 3000mm, 4500mm

5" Twin Wall Deck Pipe - 3000mm, 4500mm

4.4" Metric Twin Wall Pipe - 3000mm, 4500mm



Twin Wall Elbow

DESCRIPTION (*VARIOUS ELBOWS TO SATISFY YOUR SCHEMATICS)

5" Metric Twin Wall Elbow -

90°, 90° Short, 45°, 32.5°, 30°, 20°, 15°, 14°, 10°

4.4" Metric Twin Wall Elbow 90 degrees





Special Twin Elbows

Inner wall fully lined with Chrome-Carbide

TW Wall Elbows w / Extensions

DESCRIPTION (CHROME CARBIDE LINER & INSERT)

Twin S Pipe Offset Deck Pipe PM 47

Twin Elbow 90° Elbow w/Fin 335mm Ext

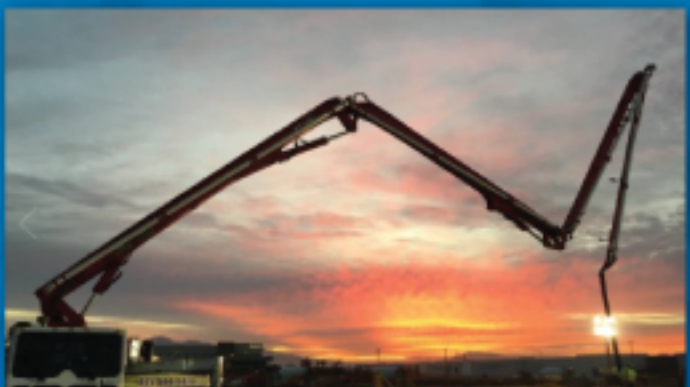
Twin Elbow 90° Elbow w/ 100mm Ext

Twin Elbow 45° w/ Single Extension

Twin Elbow 45° w/ Double Extension

Twin Pipe U - Elbow 31XT

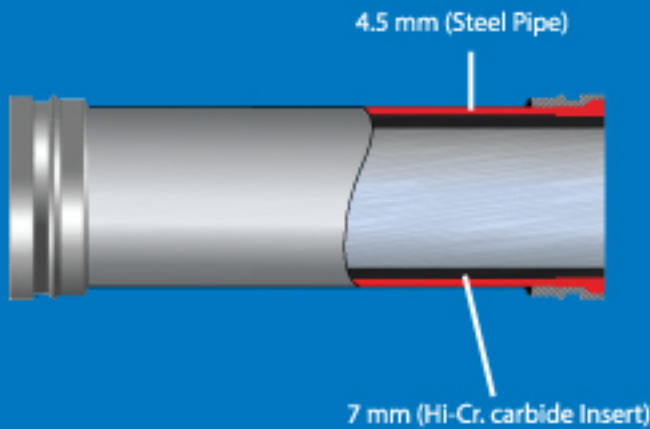
Twin Pipe S - Elbow 31XT





Twin Wall Back End

Inner wall fully lined with Chrome-Carbide



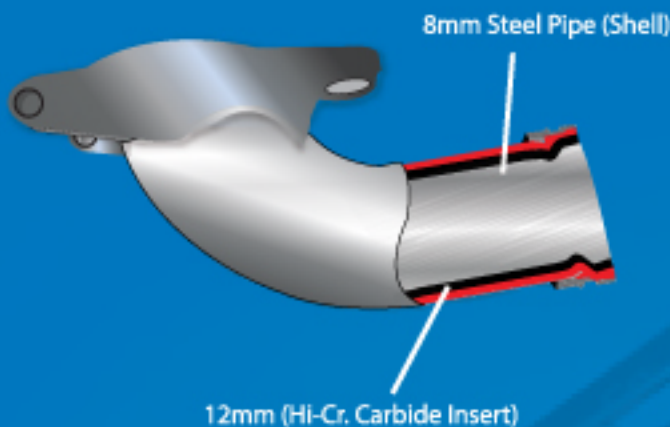
Twin Wall Reducer Pipe

DESCRIPTION

HRC58, HRC67

(DN 150 - DN 125) 1200mm

(4.5mm[shell]+7mm[inner]x36kg[79.3 lbs])



Twin Wall Flap Elbow

DESCRIPTION

HRC58, HRC67

(8mm[shell]+12mm[inner]x80kg[176 lbs])

Twin Wall Back End

DESCRIPTION (CHROME CARBIDE LINER & INSERT)

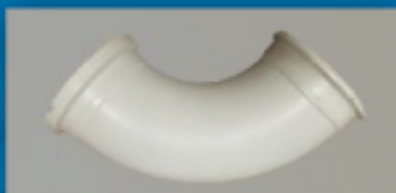
Twin Wall Transition Door / Flap Elbow

6" Twin 90° Elbow ZXM / ZXV

6" to 5" Twin Reducer x 1200mm

6" Twin 90 Elbow F/M

6" Twin 90 Elbow F/M Long





System

Heat Treated Pipe



DESCRIPTION

5" Metric x 3000mm Boom Pipe

5" Metric x 3000mm Deck Pipe

Reducing Elbows



DESCRIPTION

3" x 2" 90°

4" x 3" Cast 90°

5" x 3" Cast 90°

5" x 4" Cast 90°

6" x 5" 90°

6" x 4" 90°

Steel Reducers



DESCRIPTION

2.5" HD x 2" HD x 28" Reducer

3" HD x 2" HD x 28" Reducer

3" HD x 2.5" HD x 28" Reducer

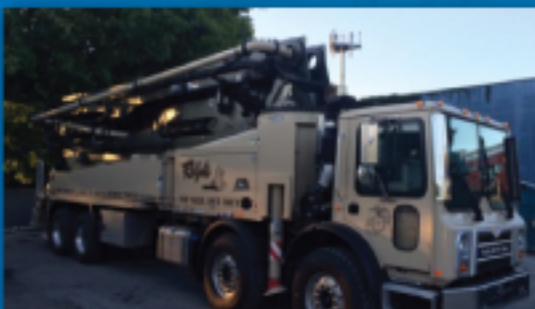
4" HD x 3" HD x 36" Reducer

4" HD x 2.5" HD x 40" Reducer

5" HD x 4" HD x 36" Reducer

5" Metric x 4" HD x 15" Reducer

5" Metric x 4" HD x 36" Reducer





Slick Line & Pipe Bends

DESCRIPTION

| |
|-------------------------------|
| 3" HD x 3000mm Slick Line |
| 4" HD x 3000mm Slick Line |
| 5" HD x 3000mm Slick Line |
| 5" HD 45° Elbow Pipe Bend 48" |
| 5" HD 90° Elbow Pipe Bend 48" |



Elbows

DESCRIPTION

| |
|-----------------|
| 5" Metric x 90° |
| 5" Metric x 45° |
| 5" Metric x 30° |
| 5" Metric x 20° |
| 5" HD x 90° |



Weld On Ends

DESCRIPTION

| |
|----------------------------|
| 6" ZX Weld On End |
| 6" Metric Weld On End |
| 5" Metric Boom Weld On End |
| 5" Metric Deck Weld On End |
| 5" HD Weld On End |
| 4" HD Weld On End |
| 3" HD Weld On End |
| 2.5" HD Weld On End |
| 2" HD Weld On End |





Wear Parts



S-Tube

DESCRIPTION

Standard S-Tube with Chrome Sleeve (8" x 7")

Big Mouth S-Tube with Chrome Sleeve (9" x 7")

High Pressure S-Tube

Chromed Sleeve

Chromed Sleeve for High Pressure S-Tube

Thrust Washer

Hex Nut



Wear Plate & Cutting Ring

DESCRIPTION

Carbide Wear Plate (9"/230mm)

Carbide Wear Ring (9"/230mm)

Non-Carbide Wear Plate (9"/230mm)

Non-Carbide Wear Ring (9"/230mm)

Wear Spring 230mm

Big Carbide Wear Plate 280mm

Big Carbide Cutting Ring 280mm

Non-Carbide Big Mouth Wear Plate (11"/280mm)

Non-Carbide Big Mouth Cutting Ring (11"/280MM)

Rubber Cushion (11"/280MM)



Swing Lever

DESCRIPTION

Swing Lever 80mm

Swing Lever 90mm

Ball Socket for 80mm & 90mm

Swing Lever Metric Fitting

Swing Lever Metric Bolt Kit



Plunger Cylinder

DESCRIPTION

Plunger Cylinder (60mm)

Plunger Cylinder Seal Kit (60mm)

Plunger Cylinder (80mm)

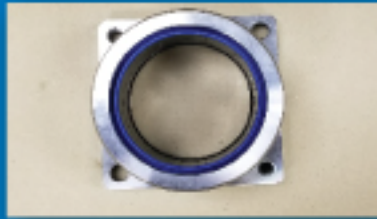
Plunger Cylinder Seal Kit (80mm)

Plunger Cylinder Hydraulic Hose 650mm



Wear Parts

80mm / 90mm Front Housing



DESCRIPTION

| |
|----------------------------|
| Small Seal Housing |
| Wear Sleeve - Spline Type |
| Thrust Ring |
| Bushing with Grease Groove |
| Small Seal Kit |



Rear Housing

DESCRIPTION

| |
|------------------------------|
| Rear Housing |
| Large Seal Kit |
| S-Tube Chrome Sleeve |
| Rear Housing Metric Fitting |
| Rear Housing Metric Bolt Kit |

Bottom Of Hopper



DESCRIPTION

| |
|-----------------------------|
| Hopper Discharge Gate |
| Hopper Discharge Gate O |
| Weld On Mounting Bolt Kit |
| Thread On Mounting Bolt Kit |

Material Cylinders PM



DESCRIPTION

| |
|-----------------------------|
| 11" x 83" Concrete Cylinder |
| 10" x 83" Concrete Cylinder |
| 9" x 83" Concrete Cylinder |
| 9" x 55" Concrete Cylinder |
| 8" x 55" Concrete Cylinder |
| 8" x 64" Concrete Cylinder |



Wear Parts

Oil Motor For Agitator



DESCRIPTION

Auger Motor

Auger Motor Seal Kit

Bearing Flange Assembly



DESCRIPTION

60mm Bearing Flange Complete Asseblly

60mm Wiper Seal for Bearing Flange

60mm O-Ring / 60mm Rubber Cone

60mm Bushing (Plastic)

60mm Bushing (Chrome)

50mm Bearing Flange Complete Assembly

50mm O-Ring / 50mm Rubber Cone

50mm Bushing (Plastic)

Dead End Bearing Flange Complete Assembly

60mm Short Mixer Shaft

50mm Short Mixer Shaft

50mm Dead End Shaft

Center Shaft

Auger Paddles



DESCRIPTION

Auger Paddle (Left)

Auger Paddle (Right)

Metric Bolt Kit





Wear Parts

Schwing Carbide Plate / Wear Ring



DESCRIPTION

Schwing Plate/Wear Insrt. DN180 (10074766)

Schwing Plate/Wear Insrt. DN200 (10074767)

Schwing Plate/Wear Insrt. DN230 (10074768)

Schwing Plate/Wear Insrt. DN250 E-Rock Valve (10166658)

Schwing Plate/Wear Insrt. DN250 B-Rock Valve (10181938)

Schwing Wear Ring Cutting Ring DN 200 (10081098)

Schwing Wear Ring Cutting Ring DN 220 (10182449)

Piston Ram Schwing



DESCRIPTION

6" (150) Piston Ram Schwing

7" (180) Piston Ram Schwing

8" (200) Piston Ram Schwing

9" (230) Piston Ram Schwing

10" (250) Piston Ram Schwing

Material Cylinder Schwing



DESCRIPTION

180mm x 1520mm Hard Chromed Cylinder

200mm x 1600mm Hard Chromed Cylinder

200mm x 2000mm Hard Chromed Cylinder

230mm x 1600mm Hard Chromed Cylinder

230mm x 2133mm Hard Chromed Cylinder

250mm x 2500mm Hard Chromed Cylinder



Wear Parts



Clamp Gaskets

DESCRIPTION

| |
|--------------------------------|
| 2" HD Gasket |
| 2.5" HD Gasket |
| 3" HD Gasket |
| 4" HD Gasket |
| 5" HD Gasket |
| 5" Metric Gasket w/Lip |
| 5" Metric Hollow Swivel Gasket |
| 6" Metric Gasket |



Hose Pan

DESCRIPTION

| |
|----------|
| Hose Pan |
|----------|



Outrigger Pad

DESCRIPTION

| |
|-----------------------------------|
| 25" x 25" Aluminium Outrigger Pad |
|-----------------------------------|



Clean Out

DESCRIPTION

| |
|--|
| 2" Sponge Ball |
| 2.5" Sponge Ball |
| 3" Sponge Ball |
| 4" Sponge Ball |
| 5" Sponge Ball |
| 6" Sponge Ball |
| 9" x 9" x 9" Clean out Sponge (Square) |



DAEYOUNG SPECIAL INC.

902 E. Walnut St. Santa Ana, CA 92701 / Tel: 714-925-7850 Fax: 714-664-0889

Email: daeyoungspecial2@gmail.com / www.daeyoungspecial.com

